



WESSEX INTUMESCENT SUPPLIES LTD

Unit 22, Regent Trade Park, Barwell Lane, Gosport, Hants. PO13 0EQ

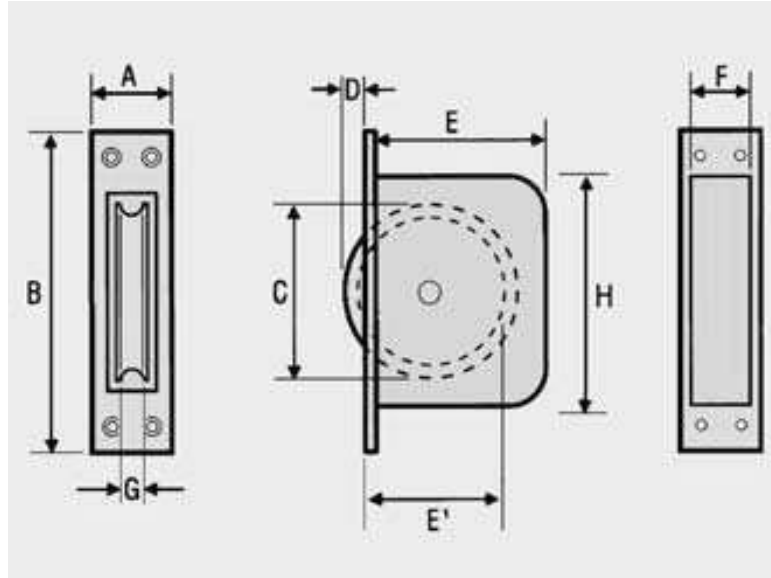
Fire, Draught, Weather & Acoustic Seals
Conservatory Roof Glazing Systems

Tel: 01329 221111 Fax: 01329 221122

Email: sales@wis-ltd.com

Website: www.wis-ltd.com

Axle Bearing Sash Pulleys



Product Dimensions							
A	B	C	D	E	F	G	H
25mm	118mm	43mm	5mm	37mm	13mm	7mm	76mm

Finishes available: Brass, Polished Chrome, Satin Chrome

Faceplates: Square or Radius Ends

Wheel: Square Grooved

Max. Sash Weight: 50kg

All dimensions are nominal and subject to manufacturers tolerances