

IS3050S si Threshold (Door Bottom) Seal

Heavy Duty



A low maintenance seal, extremely resistant to weathering or aggressive commercial environments. Impervious to most chemicals, solvents, cleaning fluids and disinfectants.

■ Location

Single and double leaf doors.
 Up and over garage doors.
 Roller shutter doors.

■ Use with

Any stainless steel threshold plate (4000 series).

■ Min/max gap size

5mm/10mm.

■ Seal material

Silicone rubber blade.

■ Standard lengths

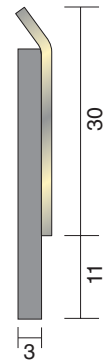
1m and 2.1m. Other lengths to special order.

■ Fixing

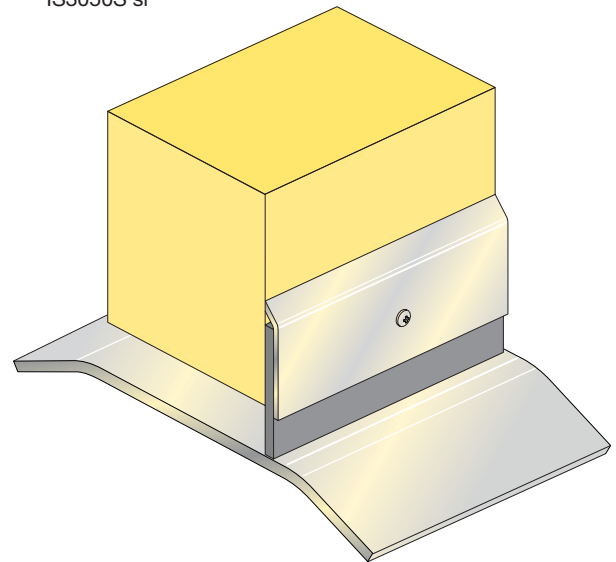
Fixing screws are supplied, fixing holes are pre-drilled and slotted to allow the seals to be adjusted and positioned accurately.

■ Finish

Grade 304 stainless steel with grey silicone rubber.



IS3050S si



Shown with threshold plate IS4050S.

IS4050S, IS4055S, IS4060S and IS4065S Stainless Steel Threshold Plates

Heavy Duty

Stainless steel threshold plates, when used in conjunction with threshold (door bottom) seals prevent rain, draught and smoke penetration. Impervious to most chemicals, solvents, cleaning fluids and disinfectants.

■ **Location**

Single and double swing doors.

■ **Use with**

Practically any threshold (door bottom) seal (3000 and 8000 series).

■ **Material**

Grade 304 stainless steel.

■ **Standard lengths**

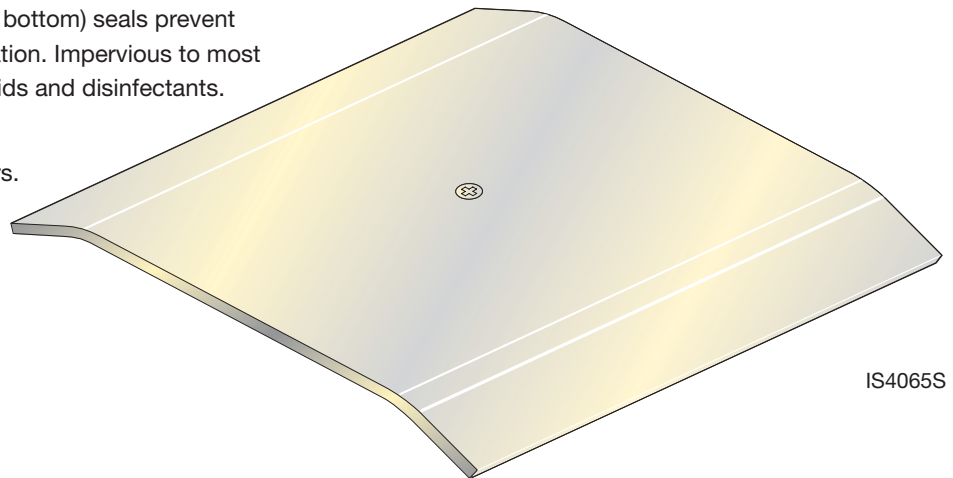
1m and 2.1m. Other lengths to special order.

■ **Fixing**

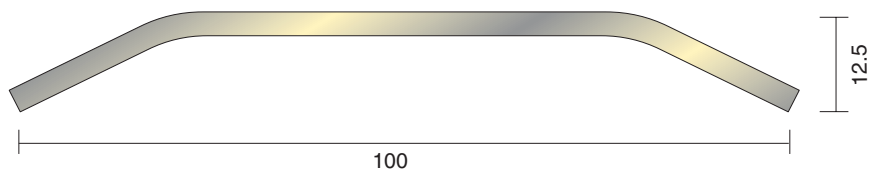
Stainless steel fixing screws are supplied, fixing holes are pre-drilled.

■ **Finish**

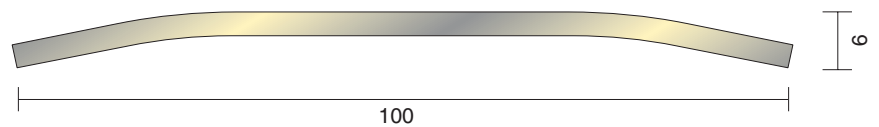
Grade 304 stainless steel.



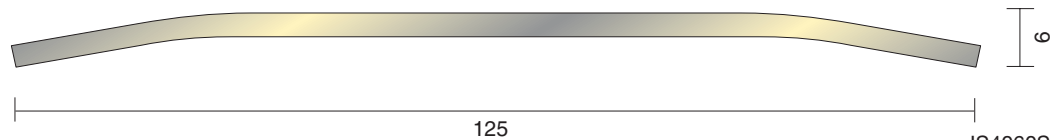
IS4065S



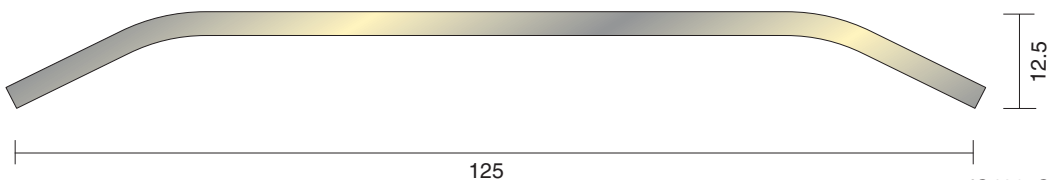
IS4050S



IS4055S



IS4060S



IS4065S

IS7030S si Stainless Steel Perimeter Seal

Medium Duty



Location

Head and jambs of single swing doors.

Seal material

Foamed silicone rubber.

Standard lengths

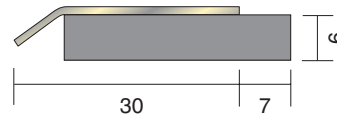
1m and 2.1m. Other lengths to special order.

Fixing

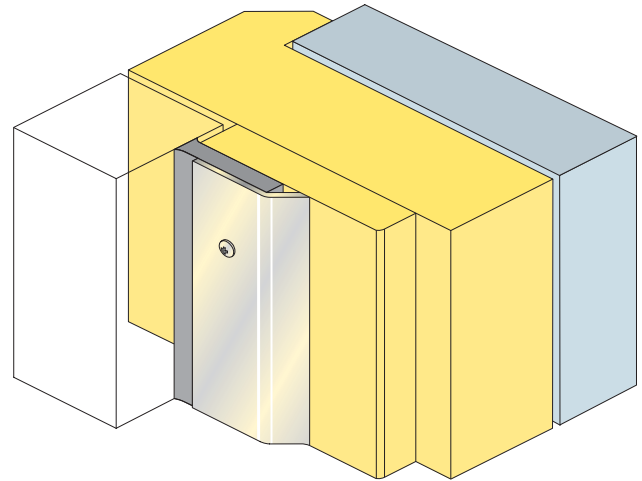
Stainless steel fixing screws are supplied, fixing holes are pre-drilled and slotted to allow the seals to be adjusted and positioned accurately.

Finish

Grade 304 stainless steel with grey silicone rubber insert.



IS7030S si



IS7040S si Stainless Steel Perimeter Seal

Heavy Duty



Location

Head and jambs of single swing doors.
 Heavy duty hinged doors.

Seal material

Foamed silicone rubber.

Standard lengths

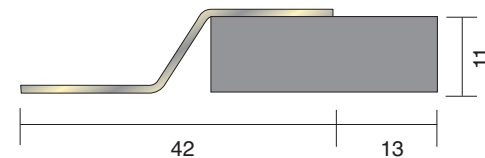
1m and 2.1m. Other lengths to special order.

Fixing

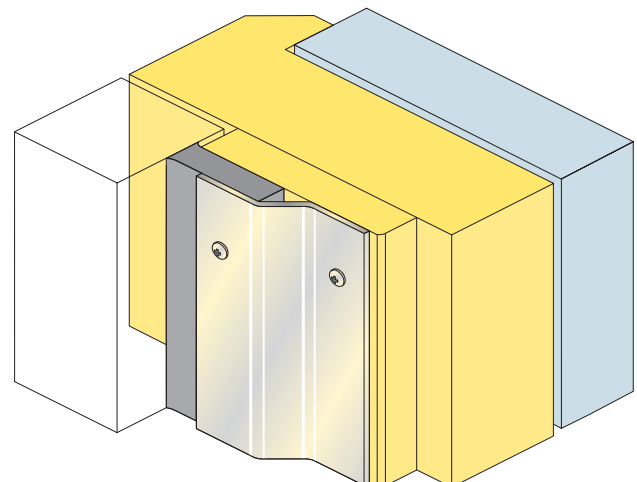
Stainless steel fixing screws are supplied, fixing holes are pre-drilled and slotted to allow the seals to be adjusted and positioned accurately.

Finish

Grade 304 stainless steel with grey silicone rubber insert.



IS7040S si



IS8060S Stainless Steel Automatic Threshold (Door Bottom) Seal

Medium Duty



A stainless steel medium duty automatic threshold (door bottom) seal which is spring-loaded to lift clear of the floor as soon as the door is opened by a few millimetres. It requires no power connection. The internal mechanism is extremely light to operate with minimal opening and closing resistance.

■ Location

Single swing doors.

■ Use with

Any perimeter seal (6000 or 7000 series).

■ Min/max gap size

3mm/13mm.

■ Seal material

EPDM.

■ Lengths

725mm, 825mm, 925mm and 1025mm.

Note: each length can be reduced for an exact fit by up to 110mm.

■ Fixing

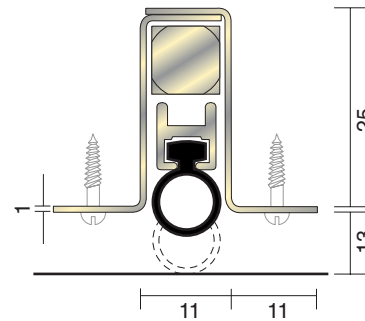
Fixing screws are supplied, fixing holes are pre-drilled. Striker button, which locates in the door jamb, is supplied. End plates not supplied.

■ Adjustment

Self-levelling on uneven surfaces. Adjustment can be carried out independently of the fixing screws.

■ Finish

Grade 304 stainless steel with black EPDM insert.



IS8060S

