

## IS5010, IS5015, IS5020, IS5025 and IS5030 Sweep Action Brushes

Medium Duty



### Location

Head, jambs, threshold and meeting stiles of single and double swing doors, and sliding doors.

Head, jambs and threshold of revolving doors, up and over doors, and roller shutter doors.

### Use with

Any threshold plate (4000 series).

### Min/max gap size

IS5010: 10mm/13mm.

IS5015: 13mm/19mm.

IS5020: 19mm/25mm.

IS5025: 25mm/35mm.

IS5030: 35mm/45mm.

### Seal material

Nylon brush filaments, UV stabilised.

### Standard lengths

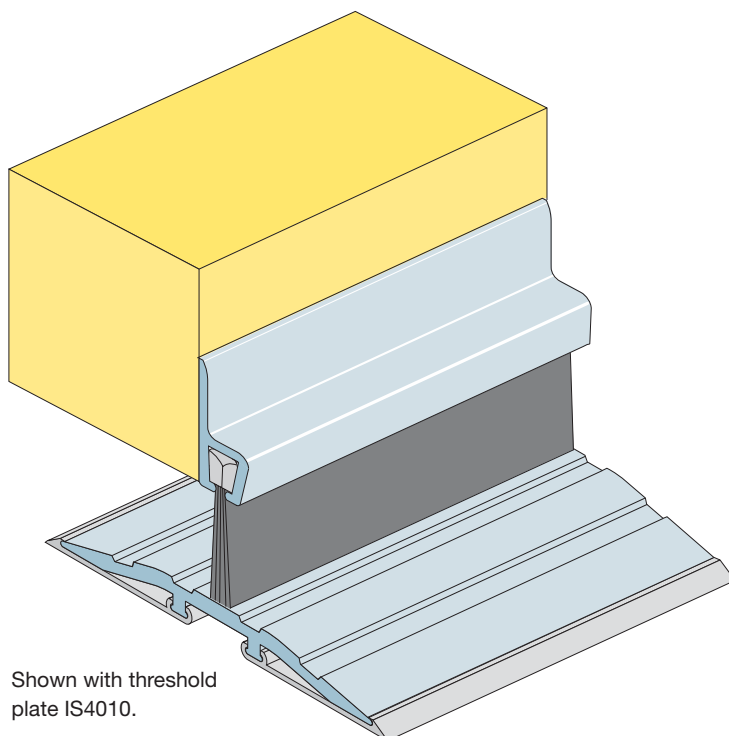
1m, 2.1m and 3m. Other lengths to special order.

### Fixing

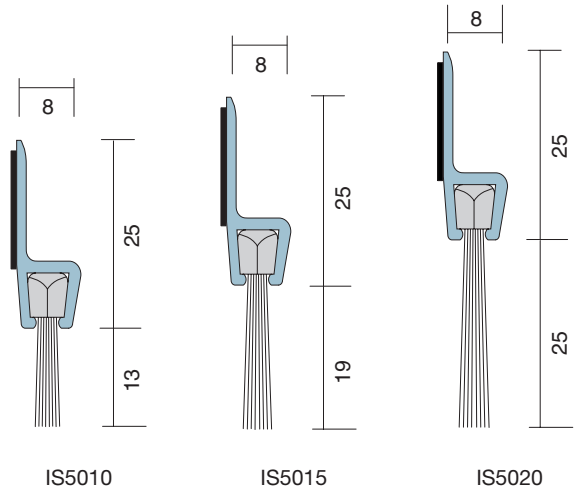
Heavy duty self-adhesive tape.

### Finishes

Silver or bronze anodised aluminium with black brush filaments.



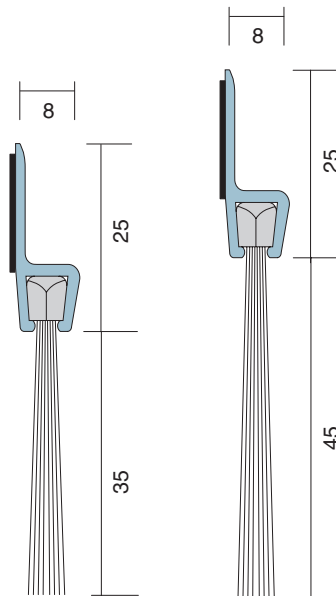
Shown with threshold plate IS4010.



IS5010

IS5015

IS5020



IS5025

IS5030

### Note:

For information on brush only products, please refer to the Gasket, Brush and Seal Components section.

## IS5035, IS5040, IS5045, IS5050 and IS5055 Sweep Action Brushes

Heavy Duty



### Location

Head, jambs, threshold and meeting stiles of single and double swing doors, and sliding doors.

Head, jambs and threshold of revolving doors, up and over doors, and roller shutter doors.

### Use with

Any threshold plate (4000 series).

### Min/max gap size

IS5035: 20mm/40mm.      IS5040: 40mm/60mm.  
 IS5045: 60mm/80mm.      IS5050: 80mm/120mm.  
 IS5055: 120mm/150mm.

### Seal material

Nylon brush filaments, UV stabilised.

### Standard lengths

1m, 2.1m and 3m. Other lengths to special order.

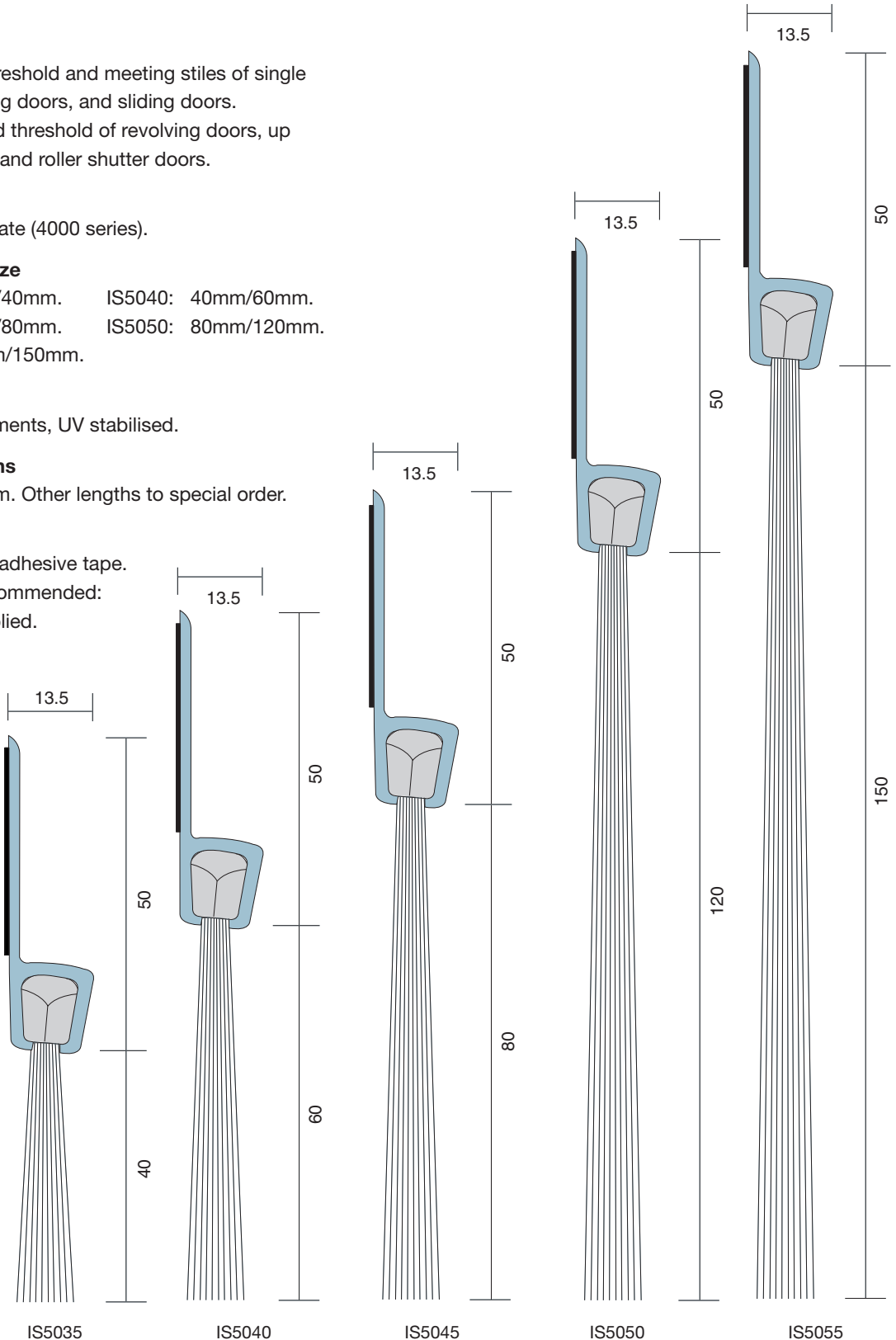
### Fixing

Heavy duty self-adhesive tape.

Screw fixing recommended:  
 screws not supplied.

### Finishes

Silver  
 anodised  
 aluminium  
 with black  
 brush  
 filaments.  
 Bronze  
 anodised  
 available to  
 special order.



*Note:*  
 For information  
 on brush only  
 products, please  
 refer to the  
 Gasket, Brush  
 and Seal  
 Components  
 section.

# WESSEX INTUMESCENT SUPPLIES LTD

Unit 22, Regent Trade Park, Barwell Lane, Gosport, Hants. PO13 0EQ  
Tel: 01329 221111 Fax: 01329 221122 Email: sales@wis-ltd.com  
www.wis-ltd.com



Architectural Seals

5000 Series

## IS5060H, IS5065H and IS5070H Sweep Action Brushes

Medium Duty



### Location

Sliding doors.

### Min/max gap size

IS5060H: 24mm/30mm.

IS5065H: 32mm/40mm.

IS5070H: 39mm/50mm.

### Seal material

Nylon brush filaments, UV stabilised.

### Standard lengths

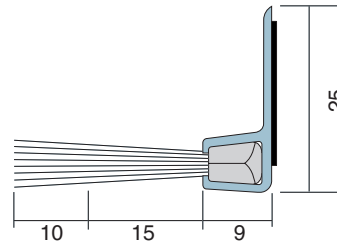
1m, 2.1m and 3m. Other lengths to special order.

### Fixing

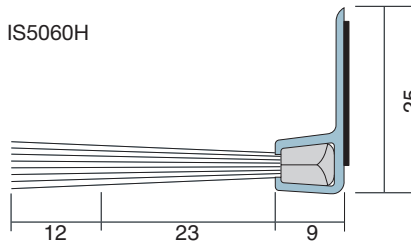
Heavy duty self-adhesive tape.

### Finishes

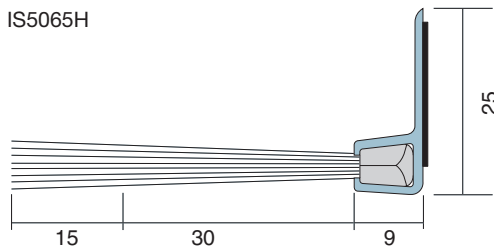
Silver or bronze anodised aluminium with black brush filaments.



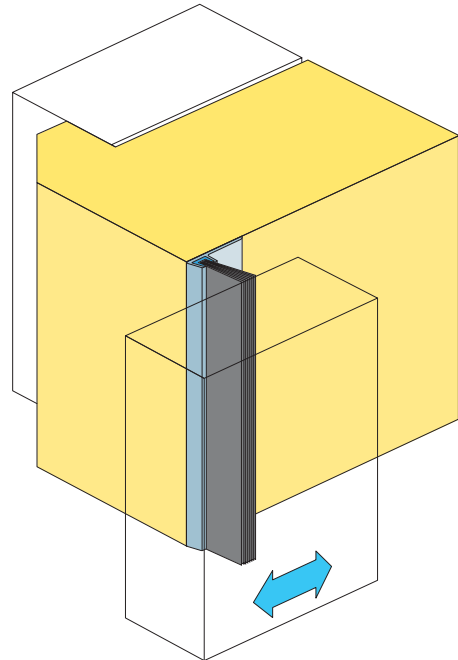
IS5060H



IS5065H



IS5070H



### Note:

For information on brush only products, please refer to the Gasket, Brush and Seal Components section.

## IS5075A, IS5080A and IS5085A Sweep Action Brushes

Medium Duty



### Location

A variety of industrial door applications requiring angled brushes.

### Min/max gap size

IS5075A: 19mm/25mm.

IS5080A: 25mm/35mm.

IS5085A: 35mm/45mm.

### Seal material

Nylon brush filaments, UV stabilised.

### Standard lengths

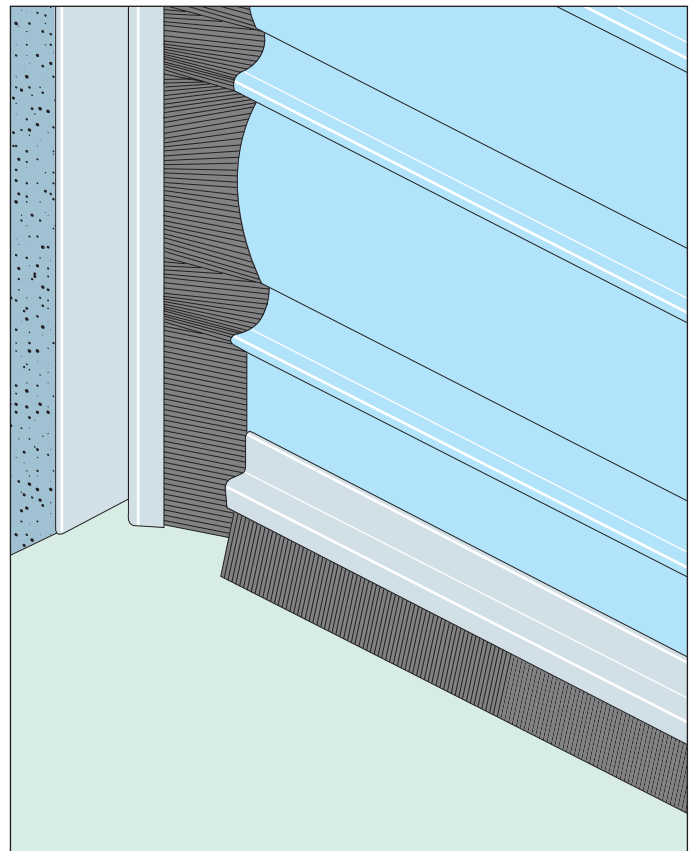
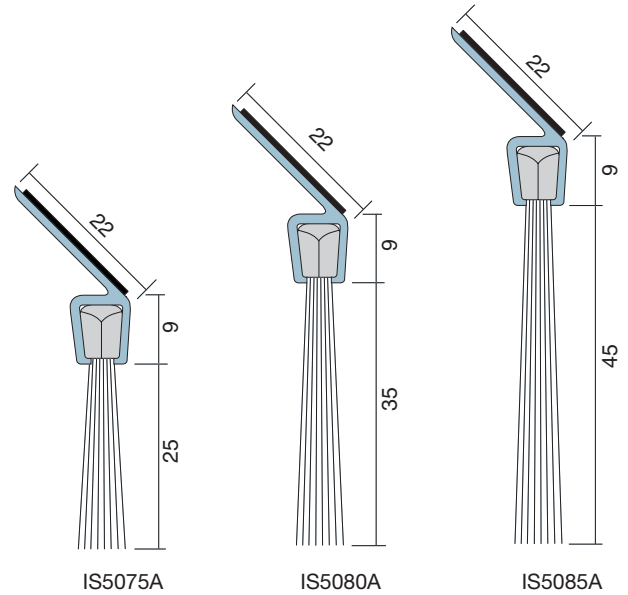
1m, 2.1m and 3m. Other lengths to special order.

### Fixing

Heavy duty self-adhesive tape.

### Finishes

Silver or bronze anodised aluminium with black brush filaments.



**Note:**

For information on brush only products, please refer to the Gasket, Brush and Seal Components section.