

IS4010, IS4015, IS4020 and IS4025 Threshold Plates

Medium Duty



Low profile threshold plates, only 6mm high, with vinyl feet to provide cushioning and levelling on uneven surfaces. These seals, when used in conjunction with threshold (door bottom) seals prevent rain, draught, and smoke penetration.

Location

Single and double swing doors.

Use with

Practically any threshold (door bottom) seal (3000 and 8000 series).

Material

Extruded aluminium with flexible bedding gaskets.

Standard Lengths

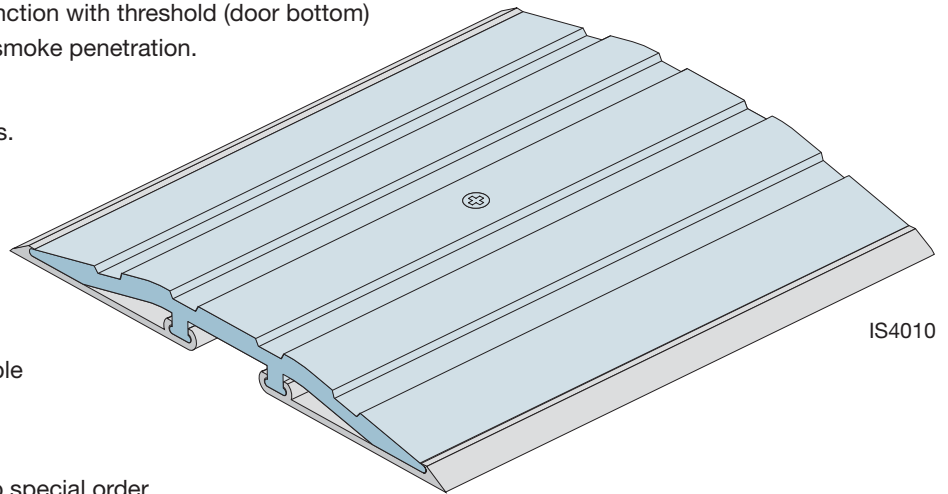
1m and 2.1m. Other lengths to special order.

Fixing

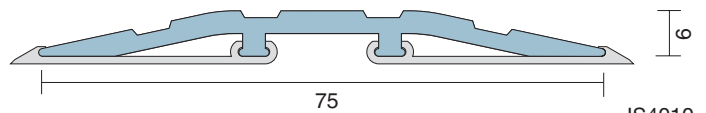
Fixing screws are supplied.

Finishes

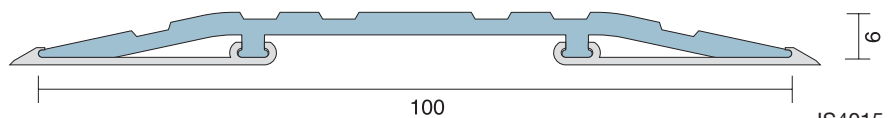
Silver anodised aluminium with grey flexible bedding gaskets. Bronze anodised aluminium available to special order.



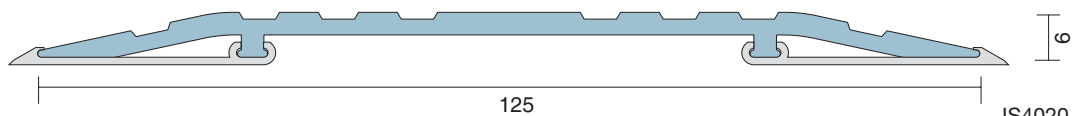
IS4010



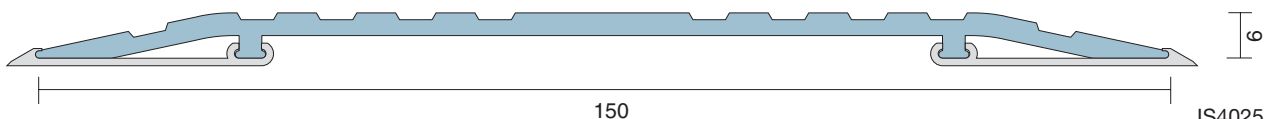
IS4010



IS4015



IS4020

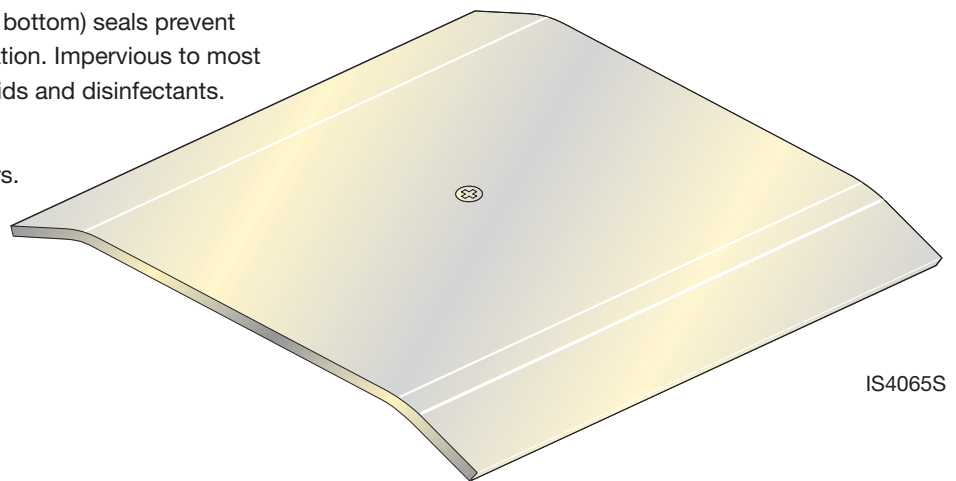


IS4025

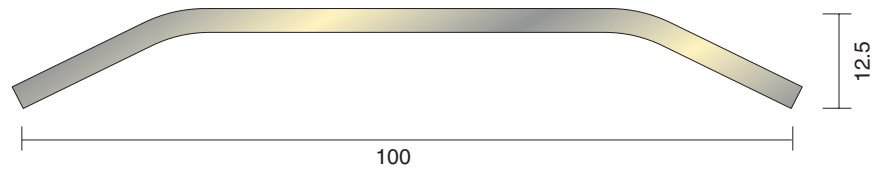
IS4050S, IS4055S, IS4060S and IS4065S Stainless Steel Threshold Plates
Heavy Duty

Stainless steel threshold plates, when used in conjunction with threshold (door bottom) seals prevent rain, draught and smoke penetration. Impervious to most chemicals, solvents, cleaning fluids and disinfectants.

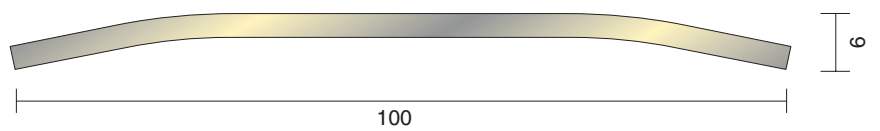
- **Location**
Single and double swing doors.
- **Use with**
Practically any threshold (door bottom) seal (3000 and 8000 series).
- **Material**
Grade 304 stainless steel.
- **Standard lengths**
1m and 2.1m. Other lengths to special order.
- **Fixing**
Stainless steel fixing screws are supplied, fixing holes are pre-drilled.
- **Finish**
Grade 304 stainless steel.



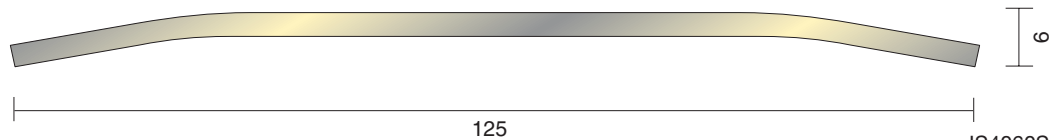
IS4065S



IS4050S



IS4055S



IS4060S



IS4065S

IS4070, IS4075 and IS4077 Threshold Ramps

Medium Duty



Threshold ramps for use in buildings where wheelchairs and trolleys are used or to compensate for uneven floors. Suitable for use with pivot and butt hinged doors. IS4070 and IS4077 provide a 1:8 gradient and IS4075 provides a gentle 1:12 gradient.

Key Benefits

Ramp style provides gentle sloping gradient for wheelchair friendly access.
Flexible bedding gaskets to eliminate vibration and noise and provide cushioning on uneven surfaces.
Durable anodised aesthetic finish.

Location

Single and double swing doors.
Roller shutter doors.
Up and over doors.
Uneven floor surfaces.

Use with

Practically any threshold (door bottom) seal (3000 and 8000 series).

Material

Extruded aluminium with flexible bedding gaskets.

Standard lengths

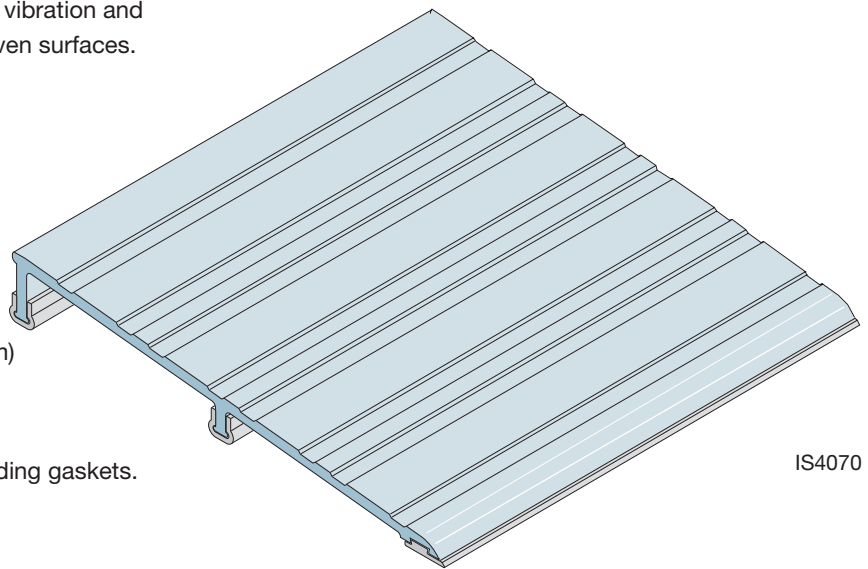
1m and 2.1m. Other lengths to special order.

Fixing

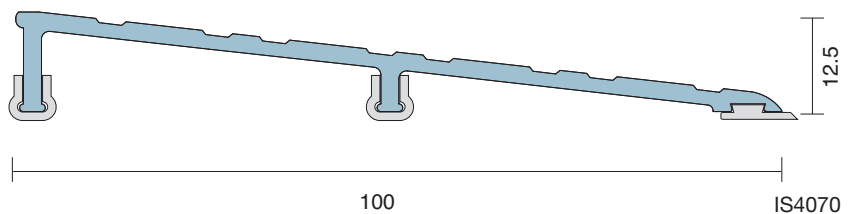
Fixing screws are supplied.

Finishes

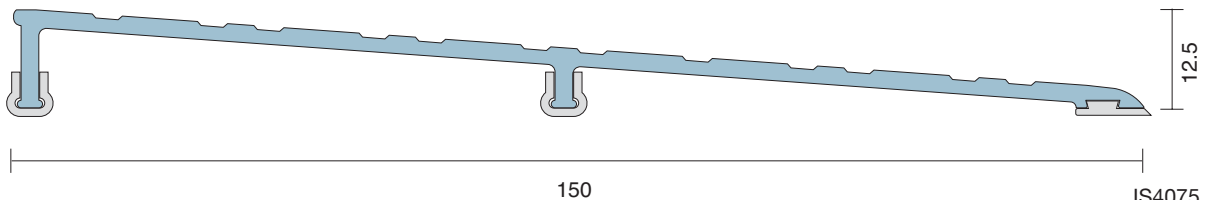
Silver anodised aluminium, with grey flexible bedding gaskets.



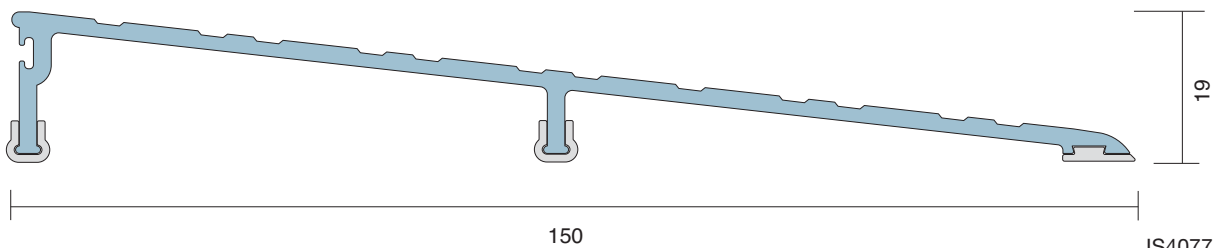
IS4070



IS4070



IS4075



IS4077

IS4100 Threshold Plate

Medium Duty



A threshold plate used in conjunction with a threshold (door bottom) seal to prevent rain, draught and smoke penetration.

■ Key Benefits

Flexible bedding gasket to eliminate vibration and noise and provide cushioning on uneven surfaces.
Concealed fixings.
Durable, anodised aesthetic finish.

■ Location

Single and double swing doors.

■ Use with

Practically any threshold (door bottom) seal (3000 and 8000 series).

■ Material

Extruded aluminium with flexible bedding gasket.

■ Standard lengths

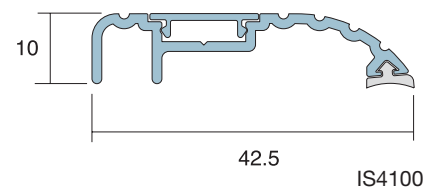
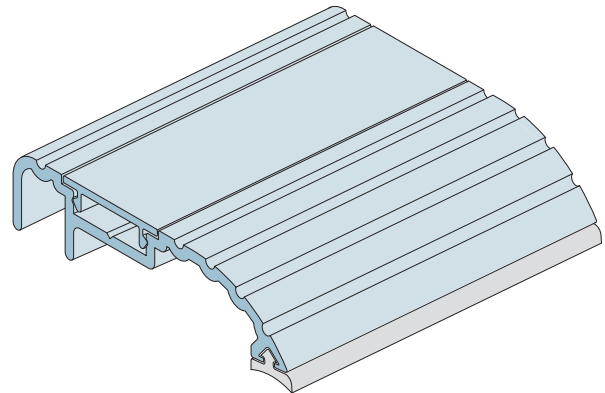
1m and 2.1m. Other lengths to special order.

■ Fixing

Fixing screws are supplied. An aluminium cover strip to conceal fixings is supplied.

■ Finishes

Silver anodised aluminium with grey flexible bedding gasket.
Bronze anodised aluminium available to special order.



IS4110 and IS4120 Threshold Plates

Medium Duty



These seals, when used in conjunction with threshold (door bottom) seals prevent rain, draught, and smoke penetration.

Location

Single and double swing doors.

Use with

Practically any threshold (door bottom) seal (3000 and 8000 series).

Material

Extruded aluminium.

Standard Lengths

1m and 2.1m. Other lengths to special order.

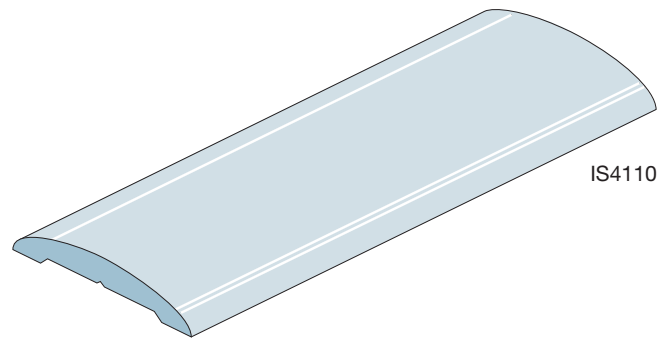
Fixing

Fixing screws are supplied.

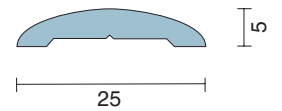
Finishes

Silver or bronze anodised aluminium.

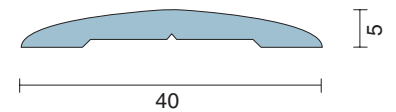
Special colours can be supplied using a powder coated finish for additional aesthetics.



IS4110



IS4110



IS4120

IS4130 and IS4140 Threshold Plates

Medium Duty



These seals, when used in conjunction with a threshold (door bottom) seal prevent rain, draught, and smoke penetration.

■ **Location**

Single and double swing doors.

■ **Use with**

Practically any threshold (door bottom) seal (3000 and 8000 series).

■ **Material**

Extruded aluminium.

■ **Standard Lengths**

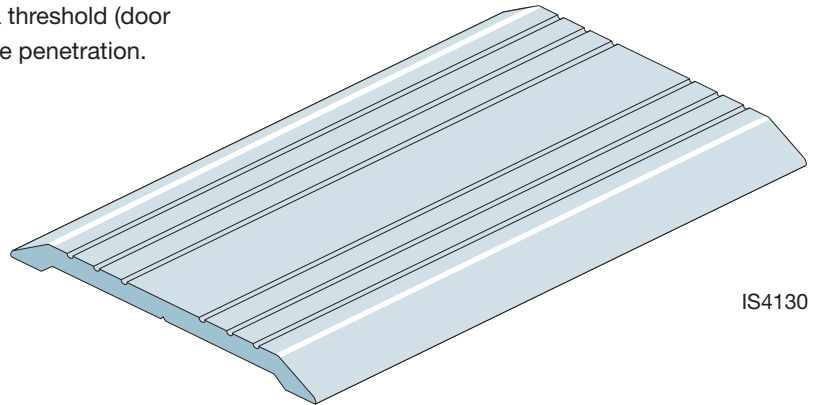
1m and 2.1m. Other lengths to special order.

■ **Fixing**

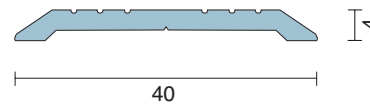
Fixing screws are supplied.

■ **Finishes**

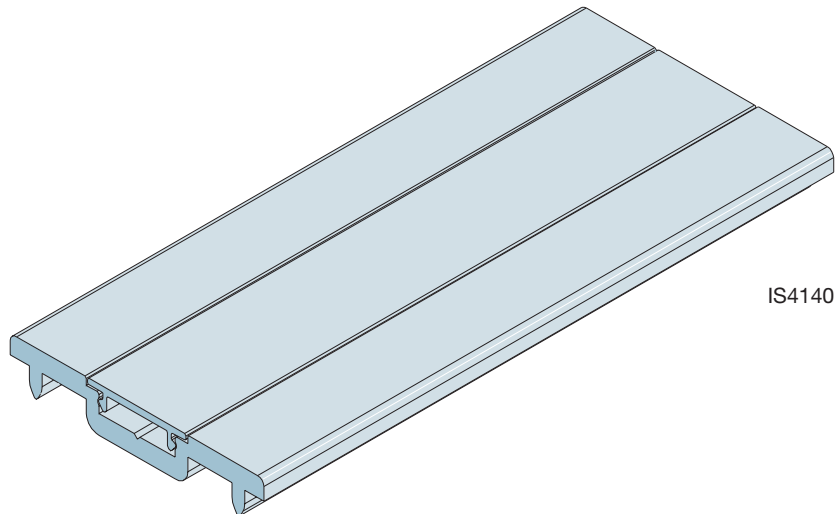
Silver or bronze anodised aluminium.



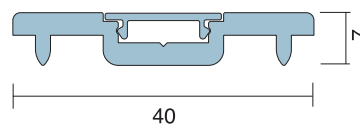
IS4130



IS4130



IS4140



IS4140

IS4220 si Threshold Plate

Heavy Duty



Suitable for outward opening doors to prevent rain, draught, light and noise penetration.

■ **Key Benefits**

Flexible bedding gaskets eliminate vibration and noise and provide cushioning on uneven surfaces. Durable anodised aesthetic finish. High performance silicone compression seal helps resist rain, light, dust and noise penetration.

■ **Location**

Single and double leaf outward opening doors.

■ **Use with**

Practically any threshold (door bottom) seal (3000 series and 8000 series) and in conjunction with any perimeter seal (7000 series) to provide a total door sealing solution.

■ **Material**

Extruded aluminium, silicone gasket and flexible bedding gaskets.

■ **Standard lengths**

1m and 2.1m. Other lengths to special order.

■ **Fixing**

Fixing screws are supplied.

■ **Finishes**

Silver anodised aluminium with grey silicone rubber gasket and grey flexible bedding gaskets. Bronze anodised aluminium with black silicone rubber gasket and black flexible bedding gaskets.

