

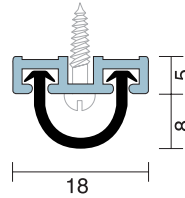
## IS3015 si and IS3016 si Threshold (Door Bottom) Seals

Medium Duty

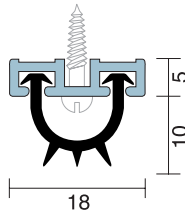


Tested acoustic threshold seals. Tested in accordance with BS EN ISO 140-3:1995. See Acoustic Sealing Systems for Door Assemblies manual for further details.

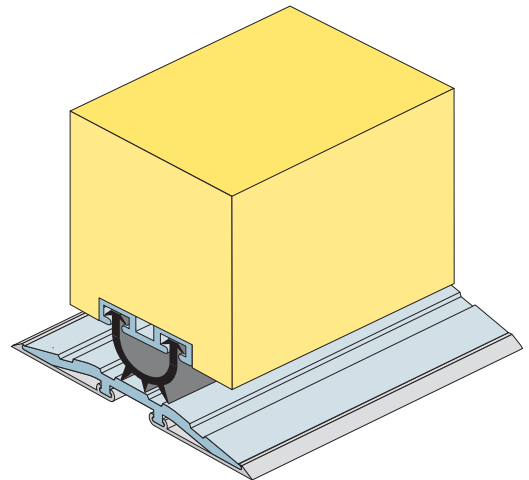
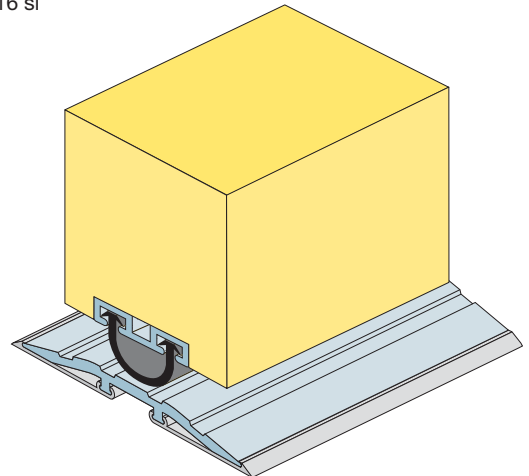
- **Location**  
Single and double swing doors.
- **Use with**  
Practically any threshold plate (4000 series).
- **Min/max gap size**  
IS3015 – 5mm/8mm.  
IS3016 – 7mm/10mm.
- **Seal material**  
Flexible silicone rubber.
- **Standard lengths**  
1m and 2.1m. Other lengths to special order.
- **Fixing**  
Wood screws are supplied (self-tapping screws for metal frames are available on request). Fixing holes are pre-drilled. Once the aluminium carrier is fixed, the rubber gasket can be snapped easily into place, due to its unique 'push fit' design.  
*Note: these seals cannot be adjusted once fitted.*
- **Finish**  
Silver anodised aluminium with black flexible insert.
- **Acoustic performance**  
Weighted Sound Reduction (R<sub>w</sub>): 35dB.  
Sound Transmission Class (STC): 35dB.



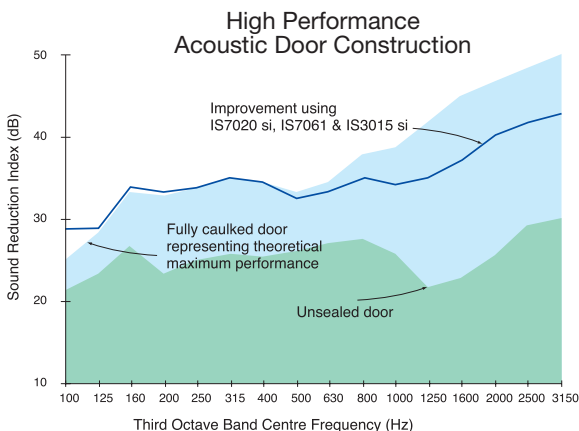
IS3015 si



IS3016 si



Both seals shown with threshold plate IS4010.



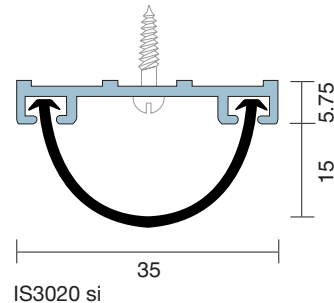
## IS3020 si and IS3021 si Threshold (Door Bottom) Seals

Heavy Duty

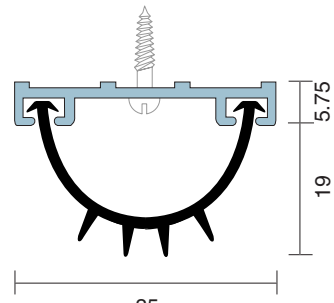


Heavy duty, non-rebated versions of IS3015 si and IS3016 si.

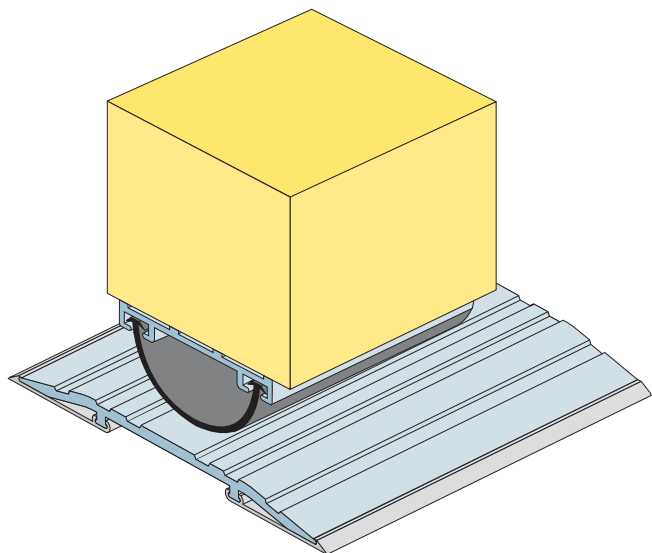
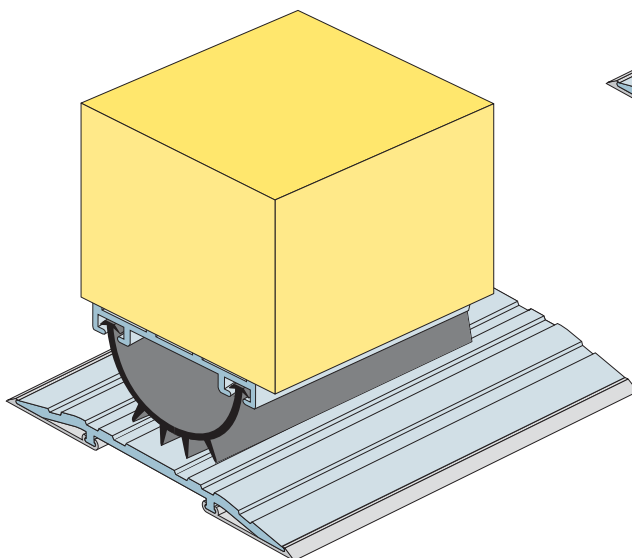
- **Location**  
Single and double swing doors.
- **Use with**  
Practically any threshold plate (4000 series).
- **Min/max gap size**  
IS3020 si – 13mm/19mm.  
IS3021 si – 16mm/24mm.
- **Seal material**  
Flexible silicone rubber.
- **Standard lengths**  
1m and 2.1m. Other lengths to special order.
- **Fixing**  
Wood screws are supplied (self-tapping screws for metal frames are available on request). Fixing holes are pre-drilled. Once the aluminium carrier is fixed, the rubber gasket can be snapped easily into place, due to its unique 'push fit' design.  
*Note: these seals cannot be adjusted once fitted.*
- **Finish**  
Silver anodised aluminium with black silicone rubber gasket.



IS3020 si



IS3021 si



Both seals shown with threshold plate IS4015.

**IS3050S si Threshold (Door Bottom) Seal**

Heavy Duty



A low maintenance seal, extremely resistant to weathering or aggressive commercial environments. Impervious to most chemicals, solvents, cleaning fluids and disinfectants.

**■ Location**

Single and double leaf doors.  
 Up and over garage doors.  
 Roller shutter doors.

**■ Use with**

Any stainless steel threshold plate (4000 series).

**■ Min/max gap size**

5mm/10mm.

**■ Seal material**

Silicone rubber blade.

**■ Standard lengths**

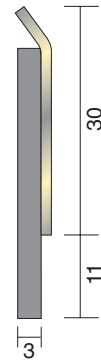
1m and 2.1m. Other lengths to special order.

**■ Fixing**

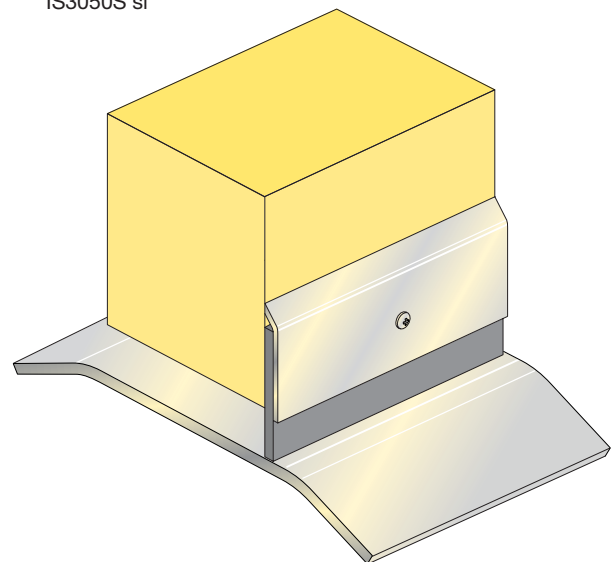
Fixing screws are supplied, fixing holes are pre-drilled and slotted to allow the seals to be adjusted and positioned accurately.

**■ Finish**

Grade 304 stainless steel with grey silicone rubber.



IS3050S si



Shown with threshold plate IS4050S.

## IS3070 si Threshold (Door Bottom) Seal

Heavy Duty



A weather proof seal which can be fitted without removing the door, and can be used with a choice of threshold plates.

### ■ Location

Single and double leaf doors.  
Roller shutter doors.  
Up and over doors.

### ■ Use with

Practically any threshold plate (4000 series).

### ■ Min/max gap size

12mm/14mm.

### ■ Seal material

Flexible silicone rubber.

### ■ Standard lengths

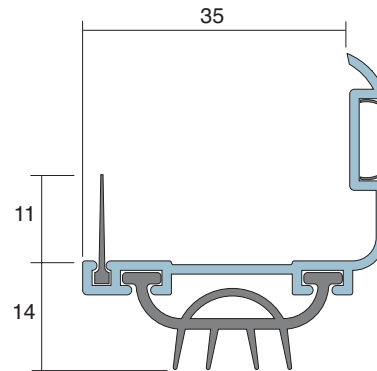
1m and 2.1m. Other lengths to special order.

### ■ Fixing

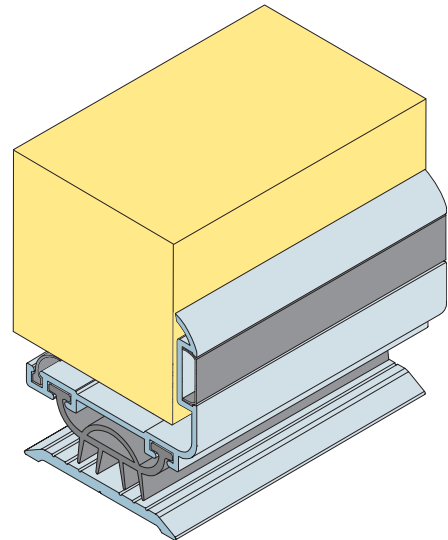
Wood screws are supplied (self-tapping screws for metal frames are available on request). Fixing holes are pre-drilled and slotted to allow the seals to be adjusted and positioned accurately. A PVC cover strip to conceal fixings is supplied.

### ■ Finish

Silver anodised aluminium with grey cover strip and grey silicone rubber gasket.



IS3070 si



Shown with threshold plate IS4130.

## IS3080 si Threshold (Door Bottom) Seal

Heavy Duty



A heavy duty sweep action door bottom seal.

### ■ Key Benefits

- Hard wearing and durable seal.
- Slim-line, aesthetic design.
- Seal screw-fixed without self-adhesive.

### ■ Location

- Single and double leaf doors.
- Up and over garage doors.
- Roller shutter doors.

### ■ Use with

Practically any threshold plate (4000 series).

### ■ Min/max gap size

10mm/22mm.

### ■ Seal material

Flexible silicone rubber.

### ■ Standard lengths

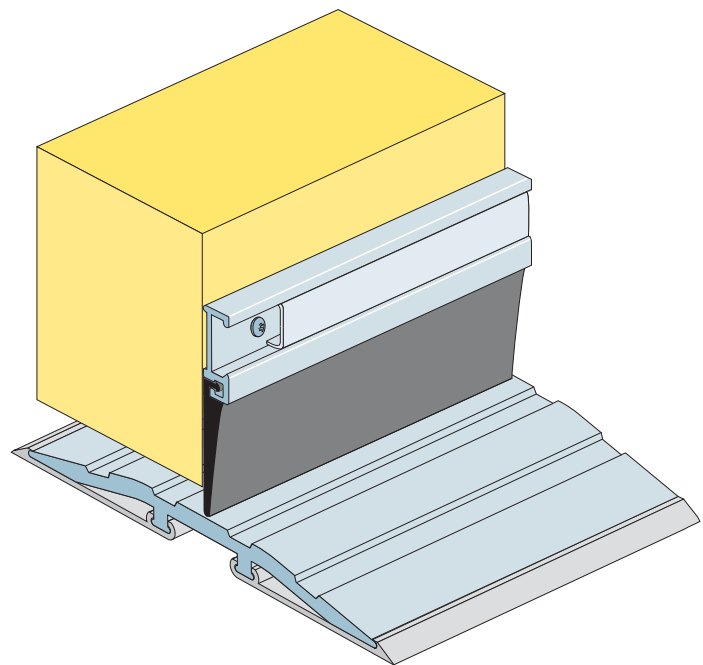
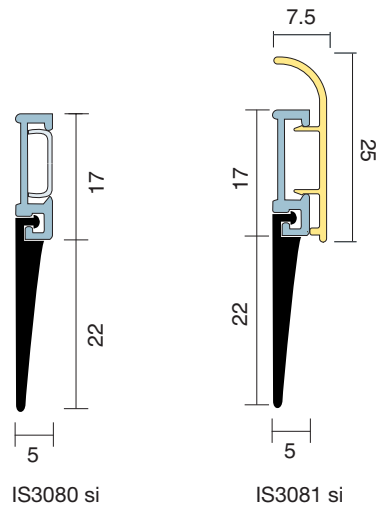
1m and 2.1m. Other lengths to special order.

### ■ Fixing

Wood screws are supplied (self-tapping screws for metal frames are available on request). Fixing holes are pre-drilled and slotted to allow the seals to be adjusted and positioned accurately.

### ■ Finish

Silver anodised aluminium with grey cover strip and black silicone rubber gasket. Special colours can be supplied when ordering the snap-on PVC cover plate (IS3081 si).



Shown with threshold plate IS4010.

## IS3100 si Threshold (Door Bottom) Seal with Threshold Plate

Medium Duty



A storm-proof seal consisting of the IS3070 si threshold seal and IS4100 threshold plate. The plate may be filled with slurry to help keep it in position when crossed by heavy industrial traffic.

### ■ Key Benefits

- Storm-proof, multi-blade seal to deflect water.
- Flexible bedding gasket on plate to eliminate vibration and noise and provide cushioning on uneven surfaces.
- Can be fitted without removing the door.
- Concealed fixings, pre-drilled and slotted holes on IS3070 si for easy adjustment.
- Durable, anodised aesthetic finish.

### ■ Location

- Single swing doors.
- Roller shutter doors.
- Up and over doors.

### ■ Min/max gap size

22mm/24mm.

### ■ Seal material

- IS3070 si – Flexible silicone rubber.
- IS4100 – Extruded aluminium with flexible bedding gasket.

### ■ Standard lengths

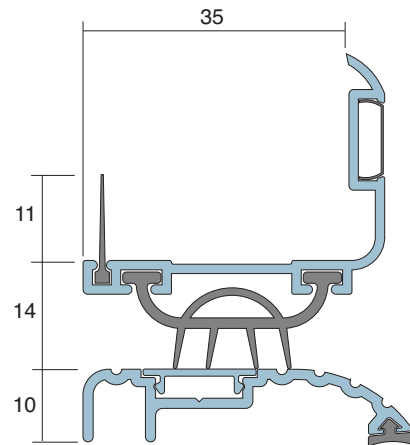
1m and 2.1m. Other lengths to special order.

### ■ Fixing

- IS3070 si – Wood screws are supplied (self-tapping screws for metal frames are available on request.)
- Fixing holes are pre-drilled and slotted to allow the seals to be adjusted and positioned accurately.
- A PVC cover strip to conceal fixings is supplied.
- IS4100 – Fixing screws are supplied. An aluminium cover strip to conceal fixings is supplied.

### ■ Finishes

- IS3070 si – Silver anodised aluminium with grey cover strip and grey silicone rubber gasket or bronze anodised aluminium with black cover strip and black silicone rubber gasket.
- IS4100 – Silver anodised aluminium with grey flexible bedding gasket or bronze anodised aluminium with black flexible bedding gasket.



IS3100 si

