

IS1010, IS1212, IS1515, IS1212K, IS1206 and IS1507 Batwing® Seals

Medium Duty



Primarily designed for upgrading existing fire resistant doors to provide additional protection against smoke up to 200°C. Can be fitted with minimal disruption to the door assembly. The Batwing® seal is also a highly effective acoustic seal when tested in accordance with BS EN ISO 140-3:1995. See separate manual for further details.

Key Benefits

Curved fin shape minimises open/closing resistance. Flexible elastomeric fins ensure the original shape is maintained, providing ongoing performance and durability in service.

Symmetrical design ensures fins are always in contact with two surfaces of door leaf, creating an air chamber to provide excellent acoustic performance.

Tested in accordance with BS EN ISO 140-3: 1995.

Effective smoke seal up to 200°C.

Variety of standard colours to blend with door designs.

Fully tested for performance and durability under the third party certification schemes CERTIFIRE (CF136) and British Board of Agrément.

Location

Head and jambs of single and double leaf doors.

Use with

Practically any threshold (door bottom) seal (3000 and 8000 series). IS8010 si or IS8005 si automatic threshold (door bottom) seals are recommended for optimum acoustic containment.

Min/max gap size

3mm/4mm.

Seal material

Co-extruded rigid back with flexible fins.

Standard lengths

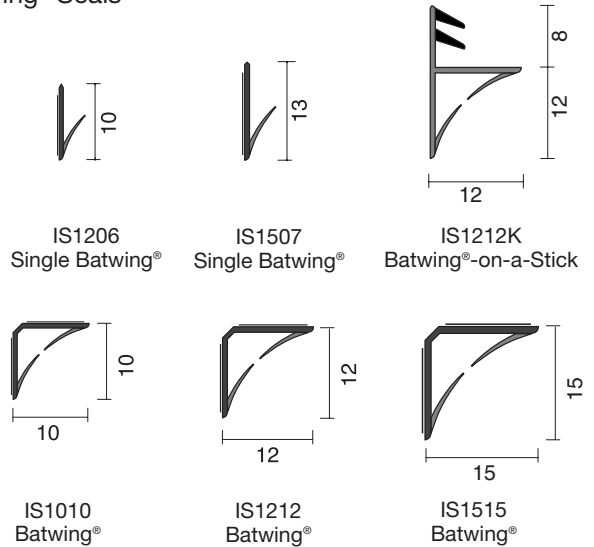
1m and 2.1m. Single doorset pack consisting of 1 x 1m and 2 x 2.1m. Other lengths to special order.

Fixing

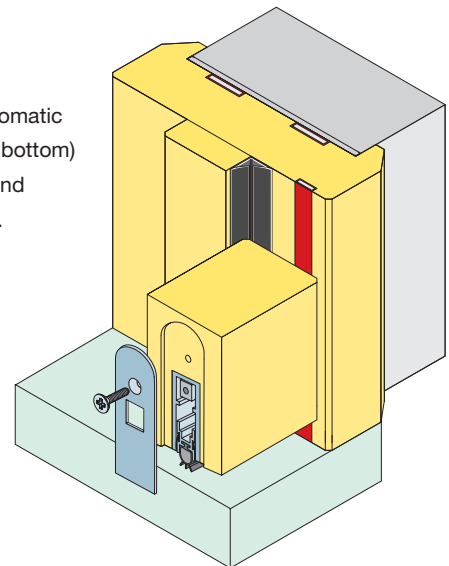
Supplied with strong self-adhesive tape, tested on many surfaces, including MDF. Groove size for IS1212K is 9mm x 3mm.

Colours

Black, white, dark brown, light brown, grey, silver and cream.

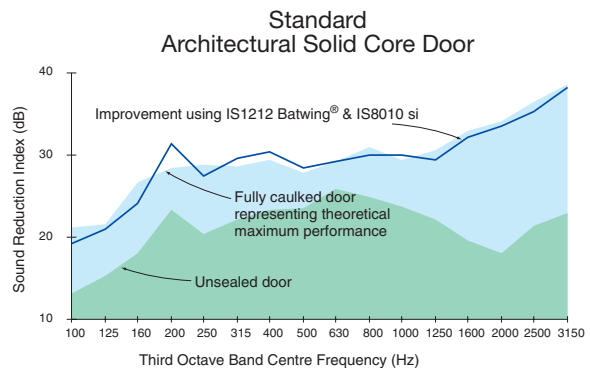


Shown with automatic threshold (door bottom) seal IS8010 si and LP1004 fireseal.


Acoustic performance

Weighted Sound Reduction (R_w): 31dB

Sound Transmission Class (STC): 31dB



IS1020, IS1030 and IS1040 Extruded Elastomeric Seals

Light Duty



Three superior quality, self adhesive door and window frame weatherstrips, which provide a compression seal.

■ **Location**

Mounted on the doorstep for single swing doors.

■ **Min/max gap size**

IS1020 - 3mm/4mm.

IS1030 - 2mm/3.5mm.

IS1040 - 2mm/3mm.

■ **Seal material**

IS1030 and IS1040 – soft EPDM foam.

IS1020 – soft PVC foam.

■ **Standard lengths**

IS1020 – 6m and 100m rolls.

IS1030 – 6m and 100m rolls.

IS1040 – 6m rolls.

■ **Fixing**

Self-adhesive tape.

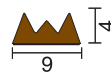
Note: contact surfaces must be clean, smooth and, if painted, well cured.

■ **Colours**

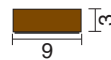
White or brown.



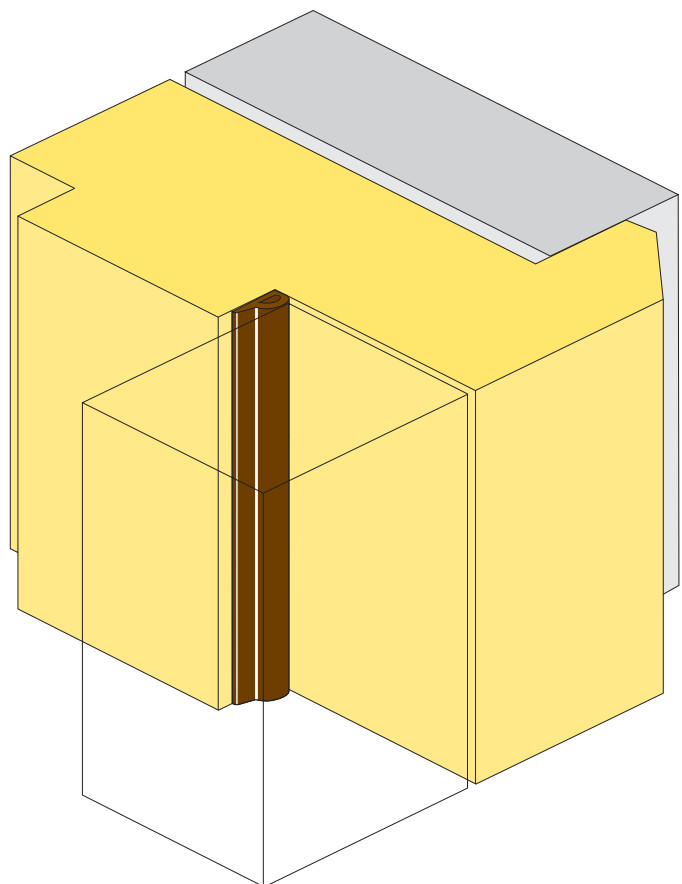
IS1020



IS1030



IS1040

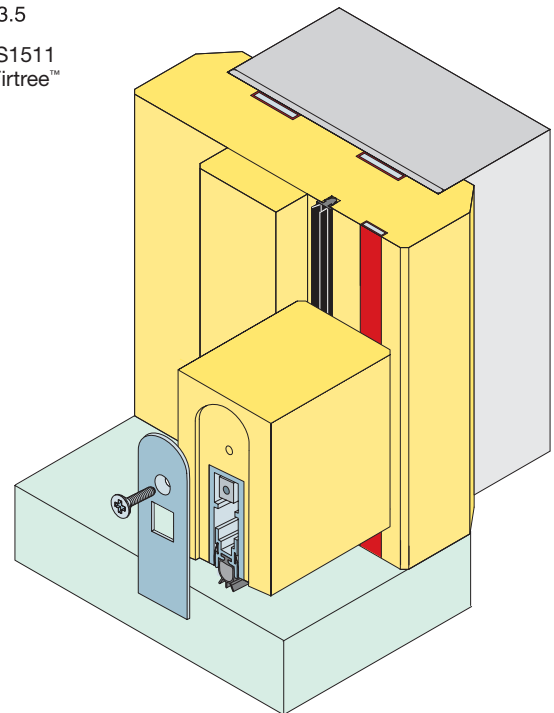
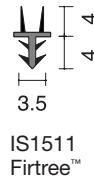


IS1511 Firtree™ Seal



A highly effective acoustic seal with smoke barrier performance up to 200°C.

- **Location**
Head and jambs of single and double leaf doors.
- **Use with**
Practically any threshold (door bottom) seal (3000 and 8000 series). IS8010 si recommended for optimum acoustic performance.
- **Min/max gap size**
3mm/4mm. 6mm finned version available.
- **Seal material**
Co-extruded rigid back with flexible fins.
- **Standard lengths**
1m and 2.1m. Other lengths to special order.
- **Fixing**
Interference fit into a kerf 3mm wide and minimum 4mm deep.
- **Colours**
Black or white.



IS1606 Bulb Seal

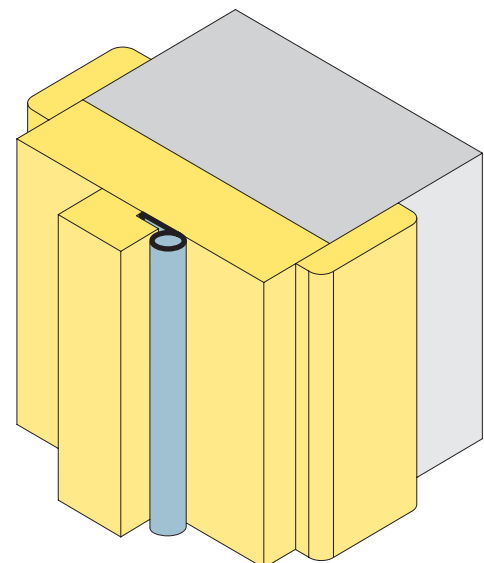


A bulb type buffer seal with a semi-rigid spine for kerf fitting.

- **Location**
Head and jambs of single swing doors.
- **Use with**
Practically any threshold (door bottom) seal (3000 and 8000 series).
- **Min/max gap size**
3mm/6mm.
- **Seal material**
Co-extruded elastomeric bulb with PVC spine.
- **Standard lengths**
5m and 10m rolls.
- **Fixing**
Interference fit into a kerf 2mm wide and minimum 5mm deep.
- **Colours**
Black, white, brown or silver grey.

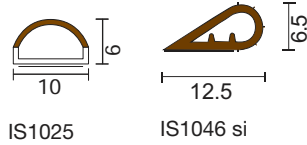


IS1606



IS1025 and IS1046 si Extruded Elastomeric Seals

Light Duty



Two superior quality, self-adhesive profiles for doors and window frames, which provide a compression seal.

■ **Location**

IS1025 – mounted on doorstep or can be recessed by up to 2mm on single swing doors.

IS1046 si – mounted on doorstep for single swing doors.

■ **Min/max gap size**

IS1025 – 3mm/4mm (rebated).

IS1025 – 3mm/5.5mm (non-rebated).

IS1046 si – 3mm/5mm.

■ **Seal material**

IS1025 – co-extruded elastomeric bulb with PVC spine.

IS1046 si – silicone.

■ **Standard lengths**

IS1025 – 1m and 2.1m lengths.

IS1046 si – 50m reels.

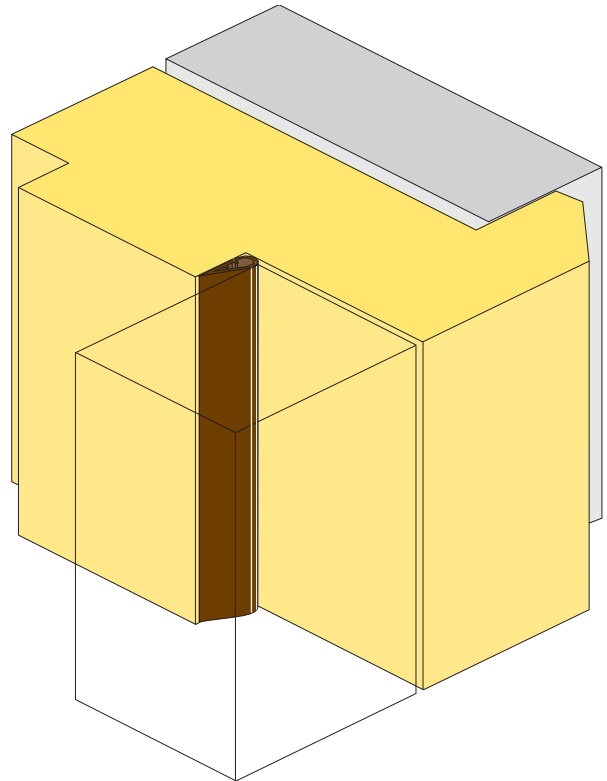
■ **Fixing**

Self-adhesive tape. Note: contact surfaces must be clean, smooth and, if painted, well cured.

■ **Colours**

IS1025 – White or brown.

IS1046 si – Black, white or brown.



IS1007 si Bulb Seal



IS1007 si

■ **Key Benefits**

Durable, silicone bulb seal for acoustic performance and smoke containment. Push fits quickly and easily into a 2mm wide x 3mm deep groove.

■ **Location**

Head and jambs of single swing doors.

■ **Use with**

Practically any threshold (door bottom) seal (3000 series and 8000 series).

■ **Min/max gap size**

3mm/6mm.

■ **Seal material**

Flexible silicone rubber.

■ **Standard lengths**

100m reels.

■ **Fixing**

Interference fit into a kerf 2mm wide and minimum 3mm deep.

■ **Colours**

Black. Other colours to order.

